

DS-PDC10DM-EG2-WE
 Wireless Dual Technology Curtain Detector
 User Manual
 EN 50131-1+A1+A2+A3
 EN 50131-2-4:2020
 EN 50131-5-3:2017
 Security Grade (SG) 2
 Environment Class (EC) IV
 kiwa Certified by KIWA

ENGLISH

Diagram References

1 Appearance

- 1. Tamper Switch
- 2. Mode Switch
- 3. Power Switch
- 4. Indicator



2 Enrollment

3 Installation

- I. Check signal strength.
- II. Install the device.

- (C) Ceiling mounting
- (W) Wall mounting
- (G) Mounting with the general mounting plate.
- (L) Mounting with L-mounting plate.

4 Anti-Masking Alarm

User Manual

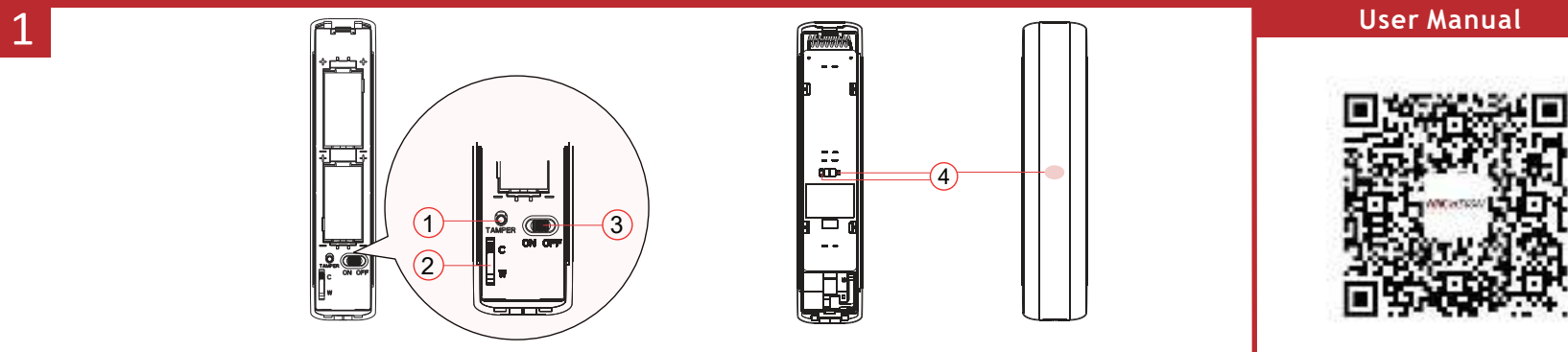
Scan the QR code for more information and operation help.

Specification

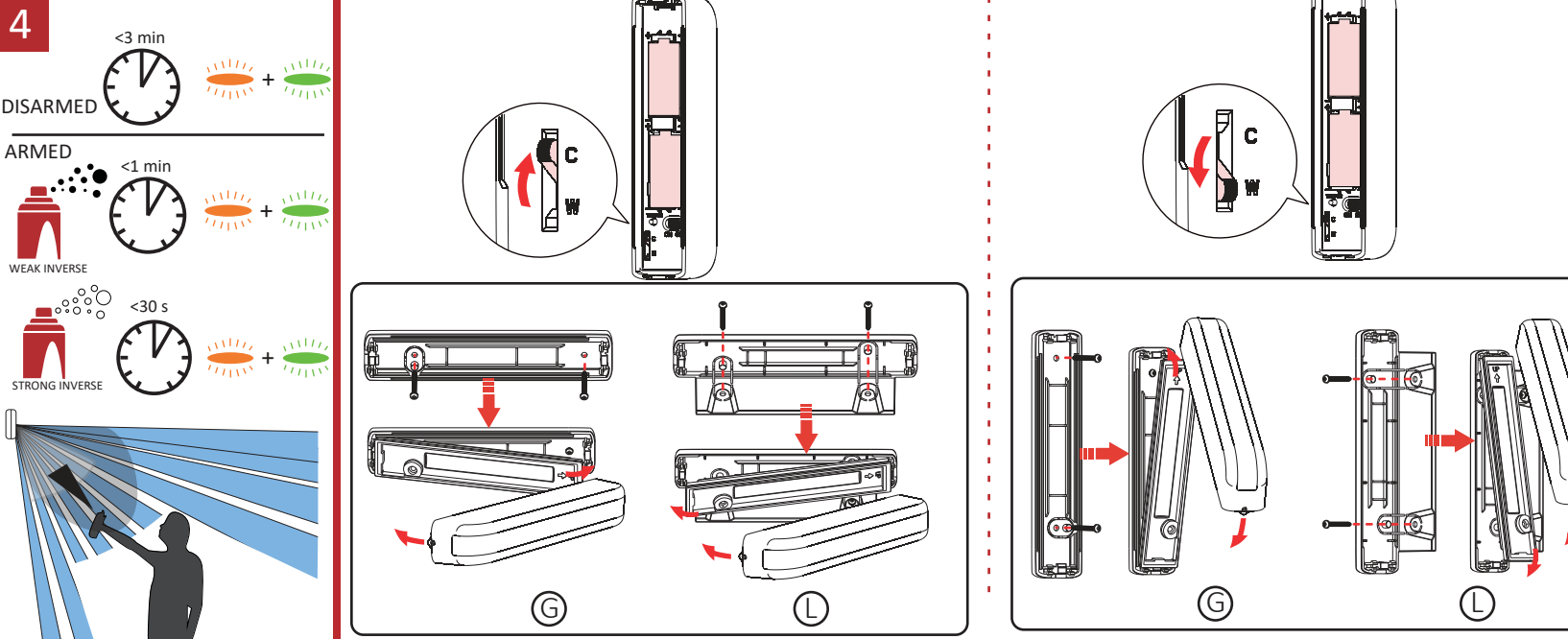
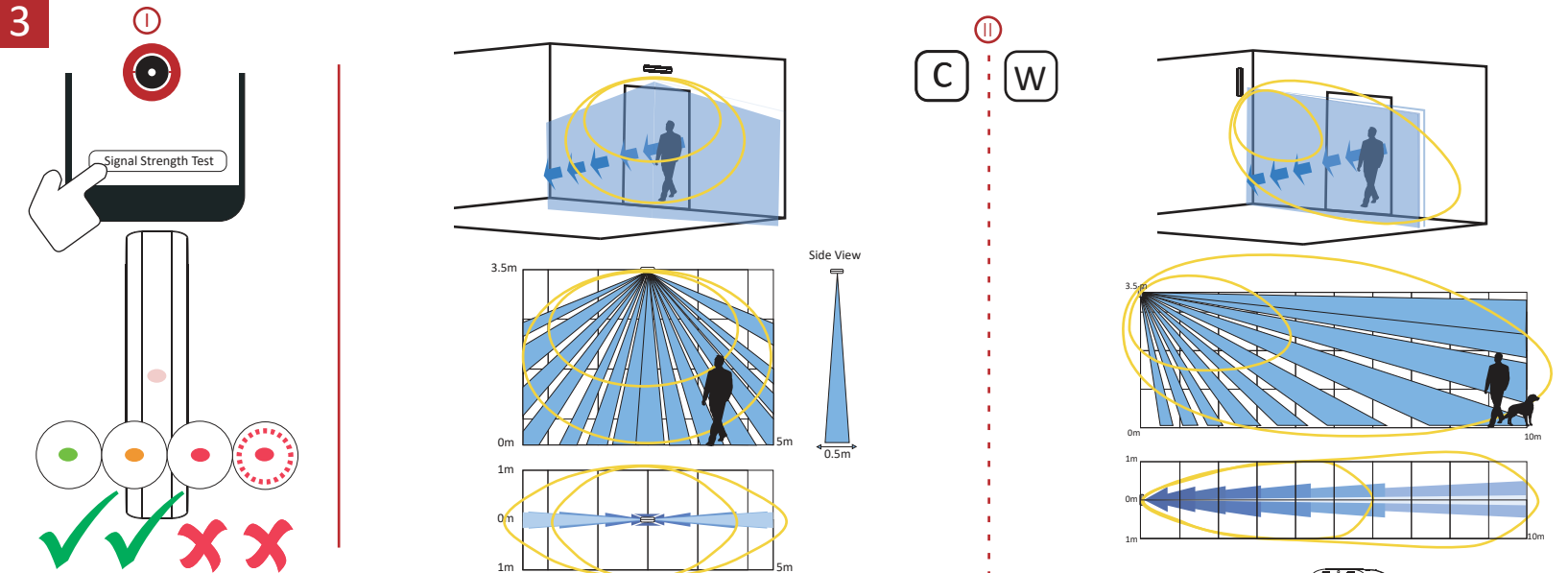
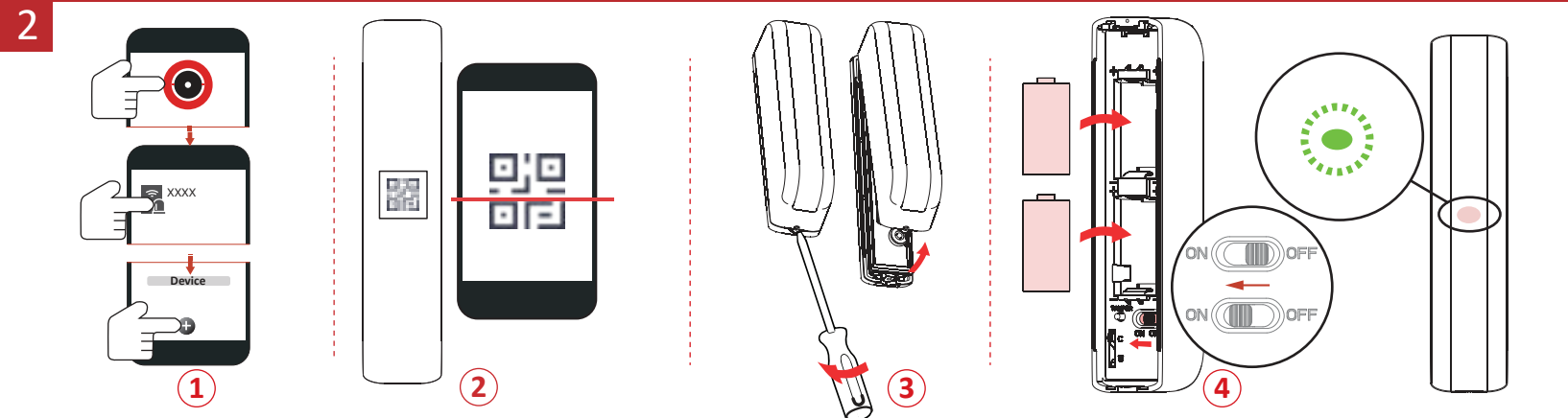
Detection Range	Wall Mount: 10m Ceiling Mount: 5m
Auto Sensitivity	Yes
Pet Immunity	Wall Mount: 12Kg Ceiling Mount: None
Microwave Frequency	24GHz (24.15 to 24.25GHz)
Tamper Protection	Front, Rear
LED Indicators	Green(PIR), Red(Microwave), Green+Orange(Mask), Blue(Alarm)
Operation Temperature	-25 °C to 60 °C (-13 °F to 140 °F)
Storage Temperature	-25 °C to 60 °C (-13 °F to 140 °F)
Operation Humidity	10% to 90%
Mounting Height	2 to 3.5m
Dimension (WxHxD)	29.2 mm x 134.4 mm x 39.5 mm
Weight	120g
Transmission Frequency	868 MHz
RF range	1.6 km (free space)
Battery Type	CR123A x 2 (included)
Standard Battery Life	5 Years
Low Battery Voltage	2.45 V
Current	Max. current: 24mA Quiescent current: 25uA
Bracket	L-shaped adapter included

Note: when the low voltage message appears there will be at least 30 days of use.

UD26896-B



User Manual



ENGLISH

©2022 Hangzhou Hikvision Digital Technology Co., Ltd. All rights reserved.
 About this Manual
 The Manual includes instructions for using and managing the Product. Pictures, charts, images and all other information hereinafter are for description and explanation only. The information contained in the Manual is subject to change, without notice, due to firmware updates or other reasons. Please find the latest version of this Manual at the Hikvision website (https://www.hikvision.com/). Please use this Manual with the guidance and assistance of professionals trained in supporting the Product.
 HIKVISION and other Hikvision's trademarks and logos are the properties of Hikvision in various jurisdictions. Other trademarks and logos mentioned are the properties of their respective owners.
 Disclaimer
 TO THE MAXIMUM EXTENT PERMITTED BY APPLICABLE LAW, THIS MANUAL AND THE PRODUCT DESCRIBED, WITH ITS HARDWARE, SOFTWARE AND FIRMWARE, ARE PROVIDED "AS IS" AND "WITH ALL FAULTS AND ERRORS". HIKVISION MAKES NO WARRANTIES, EXPRESS OR IMPLIED, INCLUDING WITHOUT LIMITATION, MERCHANTABILITY, SATISFACTORY QUALITY, OR FITNESS FOR A PARTICULAR PURPOSE. THE USE OF THE PRODUCT BY YOU IS AT YOUR OWN RISK. IN NO EVENT WILL HIKVISION BE LIABLE TO YOU FOR ANY SPECIAL, CONSEQUENTIAL, INCIDENTAL, OR INDIRECT DAMAGES, INCLUDING, AMONG OTHERS, DAMAGES FOR LOSS OF BUSINESS PROFITS, BUSINESS INTERRUPTION, OR LOSS OF DATA, CORRUPTION OF SYSTEMS, OR LOSS OF DOCUMENTATION, WHETHER BASED ON BREACH OF CONTRACT, TORT (INCLUDING NEGLIGENCE), PRODUCT LIABILITY, OR OTHERWISE, IN CONNECTION WITH THE USE OF THE PRODUCT, EVEN IF HIKVISION HAS BEEN ADVISED OF THE POSSIBILITY OF SUCH DAMAGES OR LOSS.
 YOU ACKNOWLEDGE THAT THE NATURE OF THE INTERNET PROVIDES FOR INHERENT SECURITY RISKS, AND HIKVISION SHALL NOT TAKE ANY RESPONSIBILITIES FOR ABNORMAL OPERATION, PRIVACY LEAKAGE OR OTHER DAMAGES RESULTING FROM CYBER-ATTACK, HACKER ATTACK, VIRUS INFECTION, OR OTHER INTERNET SECURITY RISKS; HOWEVER, HIKVISION WILL PROVIDE TIMELY TECHNICAL SUPPORT IF REQUIRED.
 YOU AGREE TO USE THIS PRODUCT IN COMPLIANCE WITH ALL APPLICABLE LAWS, AND YOU ARE SOLELY RESPONSIBLE FOR ENSURING THAT YOUR USE CONFORMS TO THE APPLICABLE LAW. ESPECIALLY YOU ARE RESPONSIBLE, FOR USING THIS PRODUCT IN A MANNER THAT DOES NOT INFRINGE ON THE RIGHTS OF THIRD PARTIES, INCLUDING WITHOUT LIMITATION, RIGHTS OF PUBLICITY, INTELLECTUAL PROPERTY RIGHTS, OR DATA PROTECTION AND OTHER PRIVACY RIGHTS. YOU SHALL NOT USE THIS PRODUCT FOR ANY PROHIBITED END-USES, INCLUDING THE DEVELOPMENT OR PRODUCTION OF WEAPONS OF MASS DESTRUCTION, THE DEVELOPMENT OR PRODUCTION OF CHEMICAL OR BIOLOGICAL WEAPONS, ANY ACTIVITIES IN THE CONTEXT RELATED TO ANY NUCLEAR EXPLOSIVE OR UNSAFE NUCLEAR FUEL-CYCLE, OR IN SUPPORT OF HUMAN RIGHTS ABUSES.
 IN THE EVENT OF ANY CONFLICTS BETWEEN THIS MANUAL AND THE APPLICABLE LAW, THE LATTER PREVAILS.

This product and - if applicable - the supplied accessories too are marked with "CE" and comply therefore with the applicable harmonized European standards listed under the RE Directive 2014/53/EU, the EMC Directive 2014/30/EU, the RoHS Directive 2011/65/EU.
 2012/19/EU (WEEE directive): Products marked with this symbol cannot be disposed of as unsorted municipal waste in the European Union. For proper recycling, return this product to your local supplier upon the purchase of equivalent new equipment, or dispose of it at designated collection points. For more information see: www.recyclethis.info
 2006/66/EC (battery directive): This product contains a battery that cannot be disposed of as unsorted municipal waste in the European Union. See the product documentation for specific battery information. The battery is marked with this symbol, which may include lettering to indicate cadmium (Cd), lead (Pb), or mercury (Hg). For proper recycling, return the battery to your supplier or to a designated collection point. For more information see: www.recyclethis.info

BATTERY CAUTION
 replacement of a battery with an incorrect type that can defeat a safeguard (for example, in the case of some lithium battery types);
 - disposal of a battery into fire or a hot oven, or mechanically crushing or cutting of a battery, that can result in an explosion;
 - leaving a battery in an extremely high temperature surrounding environment that can result in an explosion or the leakage of flammable liquid or gas; and
 - a battery subjected to extremely low air pressure that may result in an explosion or the leakage of flammable liquid or gas
 Chemical burning danger
 Do not swallow the battery.
 Keep new and used batteries away from the children.
 If you think batteries might have been swallowed or placed inside any part of the body, seek immediate medical attention.
 Risk of explosion if battery is replaced by an incorrect type.
 Replacement of a battery with an incorrect type that can defeat a safeguard.
 Dispose of used batteries according to the instructions and local regulation.
 If the battery compartment does not close securely, stop using the product and keep it away from children.

INSTALLATION CAUTION
 The additional force shall be equal to three times the weight of the equipment but not less than 50N. The equipment and its associated mounting means shall remain secure during the installation. After the installation, the equipment, including any associated mounting plate, shall not be damaged.

