

## DS-9000AI-S16-D Series All-in-One Server



### Features and Functions

#### Professional and Reliable

- New logical and visualized GUI design.
- Integrates with multiple technologies, including encoding and decoding technology, embedded technology, storage technology, network technology, etc.
- Ubuntu Linux is the default operation system. Supports installing Microsoft Window operation system including Windows 7E, Windows 10, and Windows Server 2012 R2.
- Redundant power supply is provided to improve the system stability.
- Adopts ANR technology to enhance the storage reliability when the network disconnected.

#### Video Input and Transmission

- Up to 128 HD (High-Definition) IP cameras can be connected.
- Adopt stream over TLS encryption technology (enhanced SDK service and RTP over HTTPS protocol).

#### Compression and Recording

- H.265+ compression effectively reduces the storage space by up to 75%.
- Connectable to the third-party network cameras like ACTI, Arecont, AXIS, Bosch, Brickcom, Canon, ONVIF, PANASONIC, Pelco, SAMSUNG, SANYO, SONY, Vivotek, and ZAVIO.

#### HD Video Output

- Supports live view, storage, and playback of the connected camera at up to 12 megapixels resolution.
- Simultaneous HDMI 1/VGA output as the main output and the HDMI 2 works as the auxiliary output.
- HDMI and VGA1 simultaneous outputs by default. Asynchronous outputs configurable.

#### Storage and Playback

- Up to 16 SATA interfaces and 1 eSATA interface provided for HDD connection.
- 10 TB capacity for each HDD.
- Supports HDD hot swapping with RAID0, RAID1, RAID5, RAID 6, and RAID10 storage scheme configurable.
- Hot spare working mode is provided to constitute an N+1 hot spare system.
- HDD data smart release when disk is full to extend the storage period.
- HDD health monitoring.
- Normal/Important/Custom video playback.

#### Smart Function

- Connectable to smart IP camera.
- 14 types of VCA detection: line crossing detection, region entrance detection, region exiting detection, intrusion detection, people gathering detection, fast moving detection, parking detection, unattended baggage detection, object removal detection, audio input exception detection, sudden change of sound detection, defocus detection, and sudden scene change detection.
- Supports searching, playing back, and backing up VCA alarms.

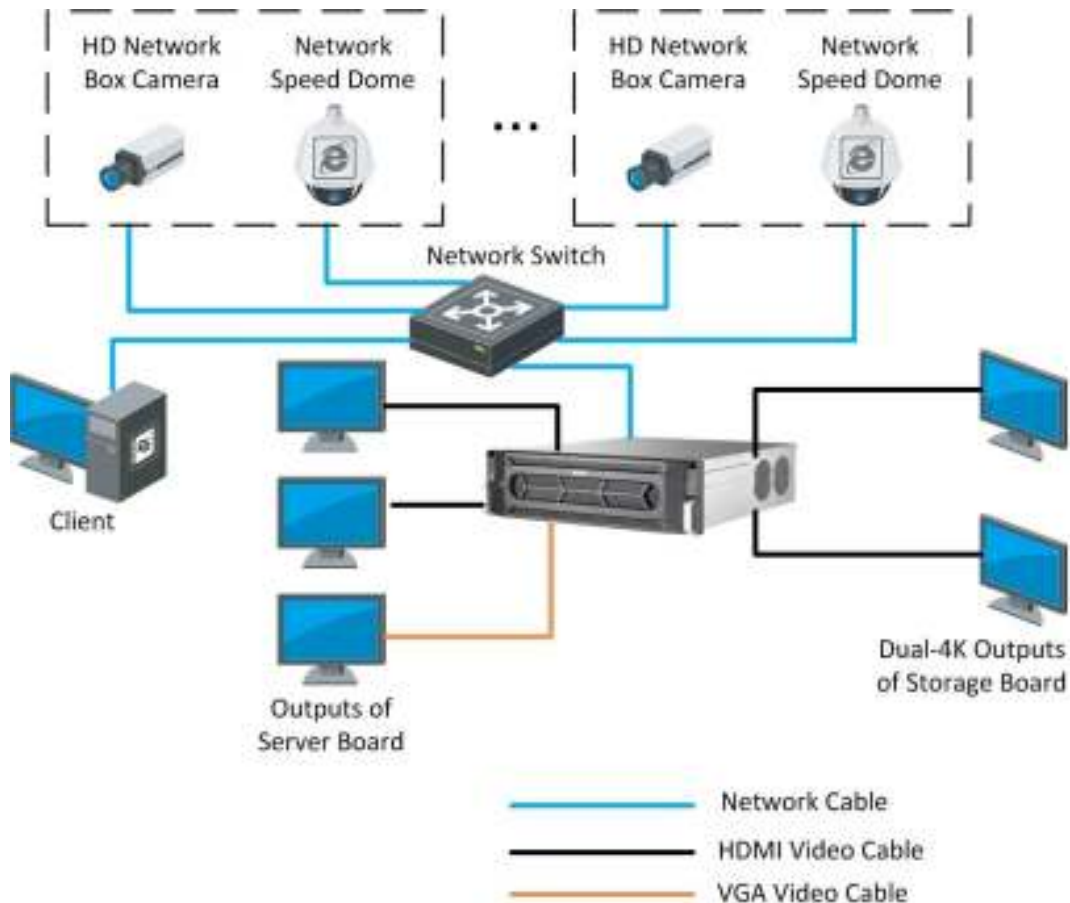


## Specifications

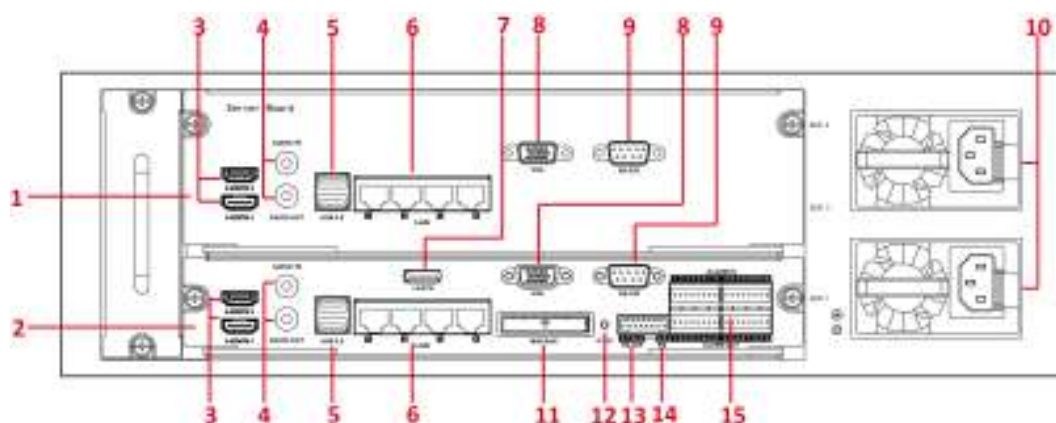
| Model                |                                | DS-9000AI-S16-D   |   |
|----------------------|--------------------------------|---|---|
| Hardware             | Structure                      | Pluggable HDD trays with no-cable design and dual-board structure (server board and storage board) realize effective task and storage management.               |   |
|                      | Chassis                        | 3U chassis of thick galvanized steel  |   |
|                      | Dimensions (W × D × H)         | 487 × 560 × 133 mm (19.2 × 22.0 × 5.2 inch)   |   |
|                      | Bezel                          | Frosted aluminum alloy bezel. Hot swapping.   |   |
|                      | Multi-functional mounting ears | Integrates status indicators, functional buttons, USB interfaces, and handles. Supports one-key muting.   |   |
|                      | Fan                            | Redundant dual-ball bearing fan and smart speed adjusting.  |   |
|                      | Power supply                   | Redundant power supply module meets the Intel CRPS (Common Redundant Power Supply) standard. 100 to 240 VAC, 550 W wide-range power input                       |   |
|                      | Guide rail                     | External guide rail for installing device into a rack   |   |
| Server board         | Processor                      | Quad-Core Intel® Xeon® Processor E3 V5 Series   |   |
|                      | Memory                         | 8GB DDR4. ECC parity. Extendable up to 64 GB  |   |
|                      | Video card                     | Intel® HD Graphics P530   |   |
|                      | System disk                    | Industrial-level SSD with 128 GB capacity   |   |
|                      | Operation system               | Ubuntu Linux is installed by default. Microsoft Windows, including Windows 7E, Windows 10, and Windows Server 2012 R2 can be installed                          |   |
|                      | Video output                   | 2 × HDMI interface with resolution up to 4K;<br>1 × VGA interface with resolution up to 1080p<br>HDMI 1 and VGA simultaneous output mode is enabled by default. |   |
|                      | LAN                            | 4 × RJ45 10M/100M/1000M self-adaptive Ethernet interface  |   |
|                      | USB interface                  | Front panel: 2 × USB 2.0; Rear panel: 2 × USB 3.0   |   |
|                      | Audio input/output             | 2 × RCA interface. One for audio input and one for audio output   |   |
|                      | SATA interface                 | Four 2.5-inch HDDs are connectable  |   |
| Storage board        | Processor                      | Dual-Core Intel Processor   |   |
|                      | Operation system               | Embedded Linux  |   |
|                      | Audio/video management         | IPC video input   | 128-ch  |
|                      |                                | Incoming/outgoing bandwidth   | 576/512Mbps   |
|                      |                                | TLS outgoing bandwidth  | 128 Mbps, or 64 Mbps (when RAID is enabled)   |
|                      | Audio/video interface          | HDMI interface  | Two independent HDMI outputs, resolution: 4K (4096x2160), 4K (3840x2160)/30Hz, 2K (2560x1440)/60Hz, 1080p (1920x1080)/60Hz, UXGA (1600x1200)/60Hz, SXGA (1280x1024)/60Hz, 720p (1280x720)/60Hz, XGA (1024x768)/60Hz |
|                      |                                | VGA interface   | 1-ch, resolution: 1080p (1920x1080)/60Hz, UXGA (1600x1200)/60Hz, SXGA (1280x1024)/60Hz, 720p (1280x 720)/60Hz, XGA (1024x768)/60Hz  |
|                      |                                | Audio output  | 1-ch, RCA (2.0 Vp-p, 1 KΩ)  |
|                      |                                | Two-way audio input   | 1-ch, RCA (2.0Vp-p, 1KΩ)  |
|                      | Audio/video decoding           | Decoding format   | H.265, H.265+, H.264, H.264+,MPEG4, MJPEG (for Hikvision IP camera only)  |
| Video resolution     |                                | 12MP/8MP/7MP/6MP/5MP/3MP/1080p/UXGA/720p/VGA/4CIF/DCIF/2CIF/CIF/QCIF  |   |
| Synchronous playback |                                | 16-ch   |   |
| Capability           |                                | H.264, H.264+, H.265, and H.265+ stream: 20@1080p;<br>MPEG4 and MJPEG: 10@1080p   |   |

|                    |                           |   |  |
|--------------------|---------------------------|---|--|
| Storage board      | HDD management            | SATA interface                                  | 16 3.5-inch HDDs are connectable. Hot swapping           |
|                    |                           | Capacity  | Up to 10 TB for each HDD                                 |
|                    |                           | Installation                                    | Pluggable HDD tray. Hot swapping                         |
|                    |                           | RAID  | RAID 0, RAID 1, RAID 5, RAID 6, RAID 10                  |
|                    |                           | Storage extension interface                     | 1 × eSATA interface<br>2 × mini SAS interface (optional) |
|                    | Other interface           | Network interface                               | 4 × RJ45 10M/100M/1000M self-adaptive Ethernet interface |
|                    |                           | Serial port                                     | 1 × RS-485 (full-duplex)<br>1 × Keyboard<br>1 × RS-232   |
|                    |                           | USB interface                                   | Rear panel: 2 × USB 3.0                                  |
| Alarm input/output |                           | 16/8  |  |
| Other parameter    | Consumption (without HDD) | ≤ 350 W   |  |
|                    | Working temperature       | 0 °C to +50 °C (+32 °F to +122 °F)              |  |
|                    | Working humidity          | 10% to 90% RH (no freezing and no condensation) |  |
|                    | Storage temperature       | -10 °C to +70 °C (+14 °F to +158 °F)            |  |
|                    | Storage humidity          | 5% to 90% RH (no freezing and no condensation)  |  |
|                    | Weight (without HDD)      | ≤ 20 Kg (44.1 lb)                               |  |

## Typical Application



## Physical Interfaces



| No. | Name               | No. | Name                          |
|-----|--------------------|-----|-------------------------------|
| 1   | Server board       | 9   | RS-232 interface              |
| 2   | Storage board      | 10  | Power supply module           |
| 3   | HDMI video output  | 11  | Mini SAS interface (optional) |
| 4   | Audio input/output | 12  | Reset button                  |
| 5   | USB 3.0 interface  | 13  | RS-485 interface              |
| 6   | Network interface  | 14  | Keyboard interface            |
| 7   | eSATA interface    | 15  | Alarm input/output            |
| 8   | VGA video output   |     |                               |

## Available Model

DS-9000AI-S16-D

Distributed by:



## HIKVISION

### Headquarters

No.565 Dianzuo Road, Binyang District,  
Hangzhou 310051, China  
T +86-571-8807-9999  
overseasbusiness@hikvision.com

**Hikvision USA**  
T +1-800-886-1940  
sales.usa@hikvision.com

**Hikvision Italy**  
T +39-0438-6902  
info.it@hikvision.com

**Hikvision Singapore**  
T +65-6694-4718  
sg@hikvision.com

**Hikvision Africa**  
T +27 (11) 0351132  
sales.africa@hikvision.com

**Hikvision Europe**  
T +31-23-56-42-770  
info.eu@hikvision.com

**Hikvision France**  
T +33(0)1-65-330-450  
info.fr@hikvision.com

**Hikvision Oceania**  
T +61-2-8508-4233  
sales.oceania@hikvision.com

**Hikvision Hong Kong**  
T +852-2151-1761

**Hikvision Middle East**  
T +971-4-8818888  
sales.me@hikvision.com

**Hikvision Spain**  
T +34-91-737-16-65  
info.es@hikvision.com

**Hikvision Canada**  
T +1-800-805-0400  
sales.usa@hikvision.com

**Hikvision Russia**  
T +7-485-500-67-99  
sales.ru@hikvision.com

**Hikvision Poland**  
T +48-20-460-01-60  
poland@hikvision.com

**Hikvision Korea**  
T +82-31-737-8841  
sales.korea@hikvision.com

**Hikvision India**  
T +91-22-29419900  
sales@pramathikvision.com

**Hikvision UK**  
T +01526-002140  
support.uk@hikvision.com

**Hikvision Brazil**  
T +55 11 3218-0050  
latam.support@hikvision.com